

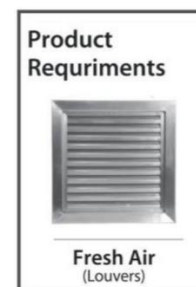
65cm- 183cm Remote Control Linear Burners

HD&E UK Introduces remote operated gas fire burners that can be installed in both residential and commercial applications for comfortable, warmth and ambient fireplace atmosphere. It includes full safety kit such as oxygen sensor, programmable thermostat and timer to provide you reassurance when using such burners with various decorative options to choose from making it easy for you to make focal point anywhere in your home. The state-of-the-art nob adjustment proflame allows convenient flame adjustment. Proudly made in our innovative factories in the UK.



Key Feature

- 24cm(W) x 25cm(D)
- Available lengths in cm: 65, 70, 75, 80, 83, 90, 100, 123, 155 and 183
- Warms up to 120Sq. Meters
- 100% Efficient with zero heat loss, 26,000- 200,000 BTU
- Remote Control for ignition (child Safety)
- Remotely adjustable flames
- Safety Sensors: flame failure device
- Designed and available for LPG Gas and natural Gas



IMPORTANT SAFETY NOTICE

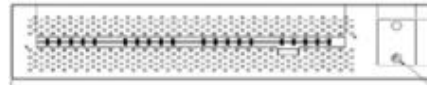
The appliance incorporates a permanent pilot. This is located on the front of the burner and must not be adjusted by the user. This system must not be put out of operation, and if any parts require changing, only original manufacturer parts shall be used. This appliance is designed to be used on LPG gas however, each individual appliance is only capable of running off the type of gas specified at the time of purchase. It is important to note that once a type of gas has been specified the fire cannot run off any other type. The type of gas that your fire is capable of burning is stated on the data information panel. This appliance has been designed, tested and approved to meet standards in place for product use, performance and safety. Installation of your appliance must comply with current building regulations. It is therefore recommended that a registered gas installer be employed for this task. The engineer will provide you with information about the safety limits of the installation and should fix a notice plate in a place where it can be readily

65cm- 183cm Remote Control Linear Burner

seen. This appliance is designed as a decorative heating device and consequently all body parts become very hot in use. Except for the control knob and control access door, which are designed to stay cool, all

other parts are working surfaces and should not be touched. The front of this appliance incorporates a decorative Log Guard, It does not give full protection for young children, the elderly or infirm, extra protection should be considered for these conditions conforming to BS 6539 or BS 6778. The appliance is not fitted with a functional integral guard. In normal use, consideration should be given to the use of an additional guard, conforming to the standard above, such that access to the open flame is minimized.

General Fitting Information



- Inlet Pipe connection: 8mm Compression
 Flame monitor: Permanent Pilot
 Mass: 7-15 kg
 User control: Variable rotary control. integrated Piezo ignition, Permanent pilot facility, Flame failure device and Oxygen Depletion Cut-out. This appliance is intended for decorative purposes.

Product Features

- From 26,000 to 200,000 thousand BTU's
- Full Safety kit
- Flame failure device, includes:
 Timer/ Thermostat &
 Oxygen sensor
- Remote control
- Electronic Ignition
- 3D Flame
- Available from 45 cm to 183 cm,
 Special custom made from 2 meter
 to 4 meter
- Accessories includes lava rocks
- 8 mm gas pipe

Options & Accessories



Logs-coal



Colored Crystal



Black Stone



White Pebbles

Specialty Features



Remote

-Standard, Display,
 Timer/Thermostat RF
 Remote Handset.

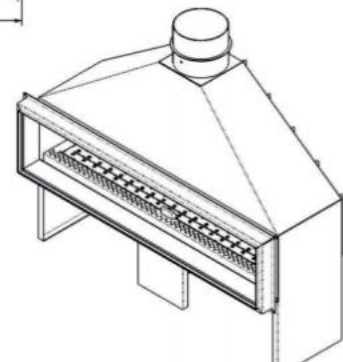
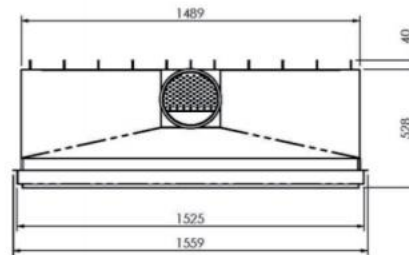
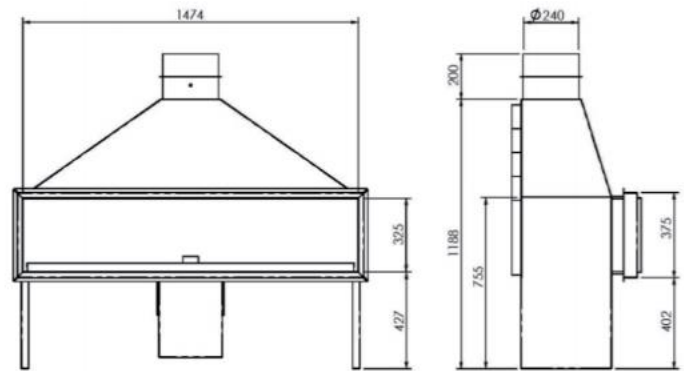
-Wall Switch/Touch Pad/
 Switch Panel.



50-180 CM BURNERS FOR OPEN FLUED APPLIANCES. IMPORTANT - THIS APPLIANCE SHOULD ONLY BE FITTED AND SERVICED BY A REGISTERED GAS INSTALLER.

GENERAL INFORMATION

5 Bearing in mind that the heat given off by this appliance may affect articles placed close to it, curtains should not be placed within 30cm. The appliance is not designed as a dryer. It is not therefore recommended that the appliance be used in such a manner. Do not place any articles within 30cm of this appliance as this may result in damage to the articles. The installation must be carried out in accordance with the following regulations: The Building Regulations issued by the Department of the Environment, the Building Standards (Scotland) (Consolidation) Regulations issued by the Scottish Development Department. BS 1251, BS 5440 part 1, BS 5871 part 3, BS 6461 part1, BS 6891 and BS 8303 In the Republic of Ireland the installation must also conform to the relevant standards, particularly in regard to flue sizing and ventilation. Refer to documents IS813, ICP3, IS327 and any other rules in force. This appliance must be installed in accordance with national regulations and the rules in force and used only in a sufficiently ventilated space, and is intended for use on a gas installation with a governed meter. Before installation, ensure that the local distribution conditions (identification of the type of gas and pressure) and the adjustment of the appliance are compatible. The technical specification of this appliance is given on the rear page of this manual. The fuel bed or this appliance should not be disturbed, and rubbish or other fuels must not be thrown onto the fire. The Chimney should be checked regularly to ensure that all the products of combustion are entering the flue or canopy, and that there is no excessive build up of soot. If any soot is found to build up it must be removed as described in the servicing instructions. Ventilation must be checked regularly to ensure that it is free from obstruction. Any debris from any source, or soot formed shall require removal.



Battery type (Remote Versions only) Receiver: 4x AA, R6 size. Transmitter: PP3 (Alkaline only).

Flue Spillage Monitoring System

This fire is fitted with a flue spillage safety device. If the fire shuts down during use for no apparent reason then several things may be suspected. If a door or window has been opened creating a draught, then pilot disturbance is the problem, and removal of the draught should resolve this. If the appliance is shut down by the Flue Monitoring System, the appliance may be re-lit after a period of at least 3 minutes. The appliance must be fully turned to the "OFF" position first, and then relit as described in the following pages. If the monitoring system repeatedly operates and shuts down the appliance, then the appliance should be turned OFF, not be used and a qualified engineer should be called.

Ventilation

This product is rated in excess of 7kW, and it is a legal requirement to have 100cm² of ventilation if the input is in excess of 7kW. Thus 100cm² of ventilation is required. Any air supply shall be in accordance with national regulations. If spillage is detected when commissioning the appliance then amongst other problems there may be insufficient natural ventilation for the correct operation of the flue. This is potentially a greater problem should the property be of modern nature. If the appliance does not spill with windows open but does with windows closed, this proves that lack of ventilation is the problem, if not; it will be the flue at fault. Installation of an air brick is the best solution. Any ventilation fitted must comply with BS 5871 part 3 and BS 5440 part 2. Ventilation located underneath or within the immediate vicinity of the fire MUST NOT be used as it may adversely affect the performance of the O.D.S. system. Spillage detected during commissioning is almost always a result of poor flue performance, which cannot be corrected by any amount of ventilation. For Republic of Ireland ventilation may be required, see IS 813, ICP3, IS 327, and any other rules in force.

REMOTE CONTROL ELECTRONIC IGNITION SYSTEM Igniting the Appliance.

Simultaneously press the “(Spark) OFF” and “Ÿ” buttons of the receiver for ignition. An acoustic signal indicates that the start sequence has begun. The electronic system then checks that the main gas is flowing and ignites the main burner; this may take up to 20 seconds. (NOTE: During start-up, override knob cannot be in Manual position.)

Adjusting the Heat Setting

You are now able to use the remote control. To increase the flame, the top button (Ÿ) should be depressed. Pressing the lower button (ž) on the handset will reduce the flame. It is also possible to turn the main burner all the way down so that it is effectively off, leaving only the pilot ignited.

Extinguishing the Appliance

Fully From any heat setting, press the “(Spark) OFF” button for a few seconds. This will cause the burner to fully extinguish.

Setting °C/24 Hour or °F/12 Hour Clock

(where applicable) Press OFF and ž (small flame) until display changes from °F/12 hour Clock to °C/24 hour clock and vice versa.

Setting the time (where applicable)